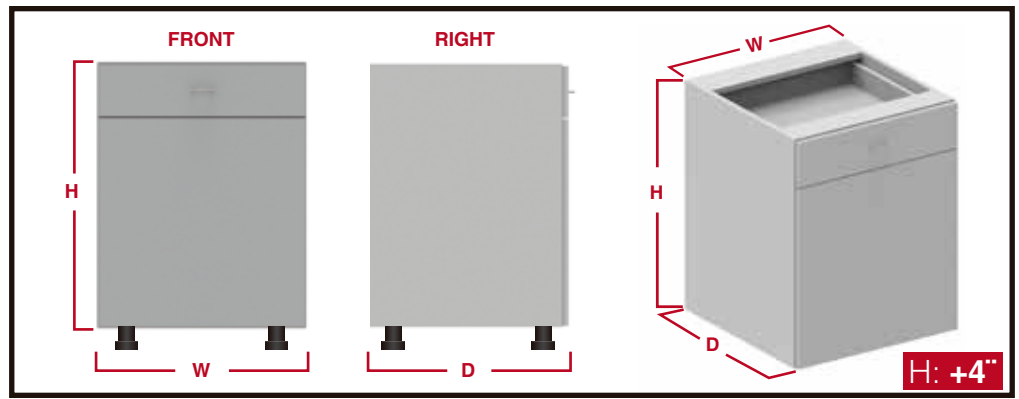


# market wood

## BASE CABINET



**B1**

**DRAWER CABINET  
3 DRAWERS**  
(1 S - 2 L)

**Drawers:**  
(3 M)  
(2 S - 1 L)  
(1 S - 2 L)



**B2**

**BASE**  
(2 Doors - Shelves)

**Door:** 2  
**Drawers:** 0  
**Shelf:** 1 - 2



**B3**

**BASE**  
(1 Door - Shelves)

**Door:** R - L  
**Shelf:** 1 - 2



**B4**

**BASE**  
(2 D - 1 D - Shelves)

**Door:** 2  
**Drawers:** 1  
**Shelf:** 1 - 2 - 3 - 4



**B5**

**BASE SINK**  
(2 Doors)

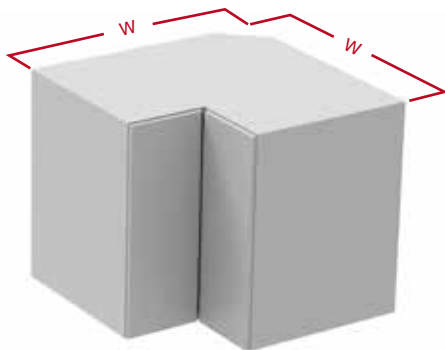
**Door:** 2  
**Drawers:** 1 false  
**Shelf:** 0



**B6**

**BASE**  
(1 D - 1 D - 1 Shelves)

**Drawers:** 1 (6 in)  
**Shelf:** 1 - 2 - 3



**B7**

**90° CORNER  
(SUSAN)**  
(2 Door - Shelves)

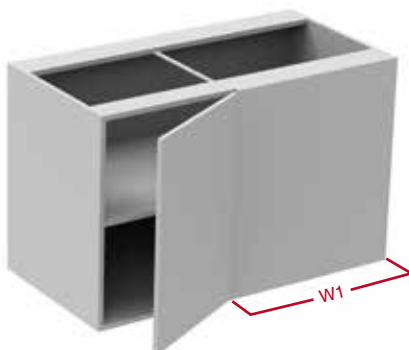
**Door:** 2  
**Drawers:** 0  
**Shelf:** 1 - 2



**B8**

**45° CORNER  
(SUSAN)**  
(1 Door - 1 Shelves)

**Door:** 1  
**Drawers:** 1  
**Shelf:** 1



**B9**

**BLIND CORNER**  
(1 Door - Shelves)

**Door:** 1  
**Drawers:** 0  
**Shelf:** 1 - 2

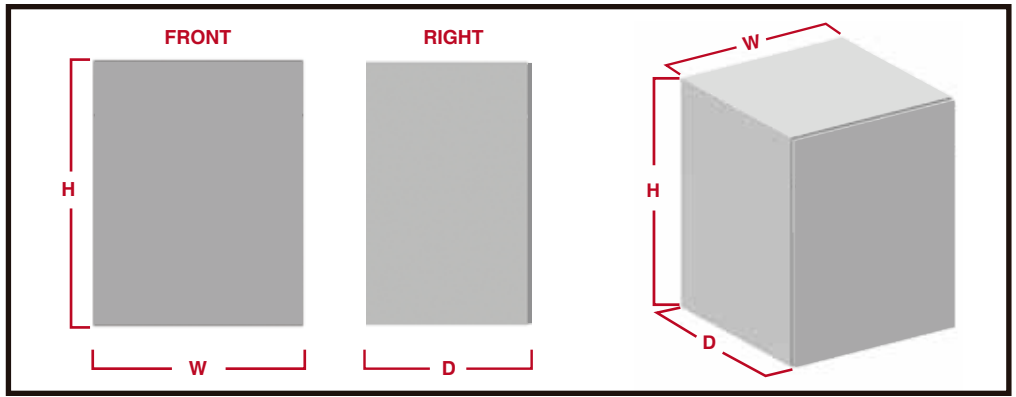


**B10**

**BLIND CORNER**  
(1 D - 1 D - Shelves)

**Door:** 1  
**Drawers:** 1  
**Shelf:** 1 - 2

market  
wood  
**WALL  
CABINET**



**W1**

**WALL CABINET  
ANGLE CORNER**  
(1 Door - 2 Shelves)

**Door:** 2  
**Drawers:** 0  
**Shelf:** 1- 2 - 3



**W2**

**WALL CABINET**  
(2 Door - 2 Shelves)

**Door:** 2  
**Drawers:** 0  
**Shelf:** 1- 2 - 3



**W3**

**WALL CABINET  
OPEN**  
(Shelves)

**Door:** 0  
**Drawers:** 0  
**Shelf:** 2 - 3



**W4**

**WALL CABINET**  
(2 Doors)

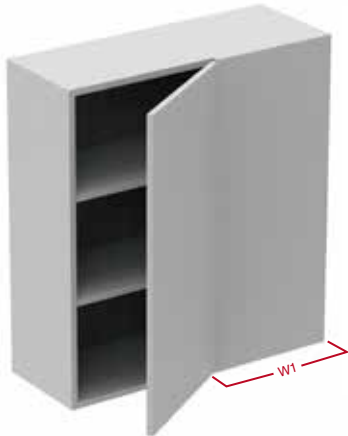
**Door:** 2  
**Drawers:** 0  
**Shelf:** 2



**W5**

**90° CORNER  
(SUSAN)**  
(2 Door - Shelves)

**Door:** 2  
**Drawers:** 0  
**Shelf:** 1 - 2



**W6**

**BLIND CORNER**  
(1 Door - Shelves)

**Door:** 1  
**Drawers:** 0  
**Shelf:** 1- 2 - 3



**W7**

**45° CORNER  
(SUSAN)**  
(1 Door - 1 Shelves)

**Door:** 1  
**Drawers:** 1  
**Shelf:** 1



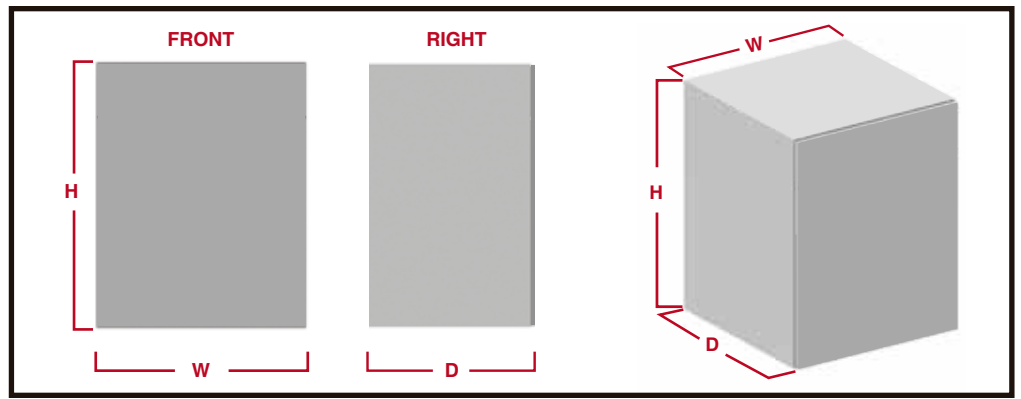
**W8**

**WALL CABINET  
FRIDGE**

**Door:** 2  
**Shelf:** 1



# CLOSET MODULES



**C1**  
SINGLE HANG  
WITH SHOES



**C2**  
SHOE RACK



**C3**  
MEDIUM HANG



**C4**  
DOBLE HANG



**C5**  
MEDIUM HANG  
WITH SHOES

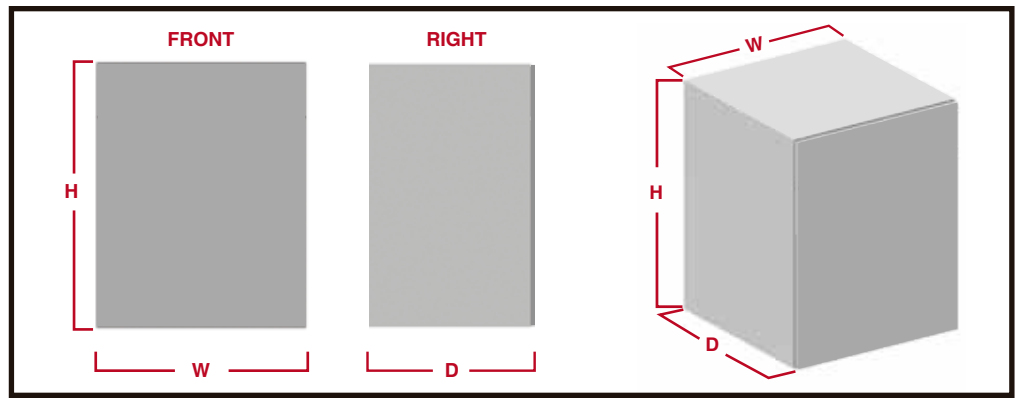


**C6**  
4 DRAWER



**C7**  
LONG HANG

market  
wood  
**TALL**  
CABINET



**T1**  
TALL DOUBLE  
OVEN



**T2**  
TALL SINGLE  
OVEN



**T3**  
TALL SINGLE  
DOOR



**T4**  
REFRIGERATOR

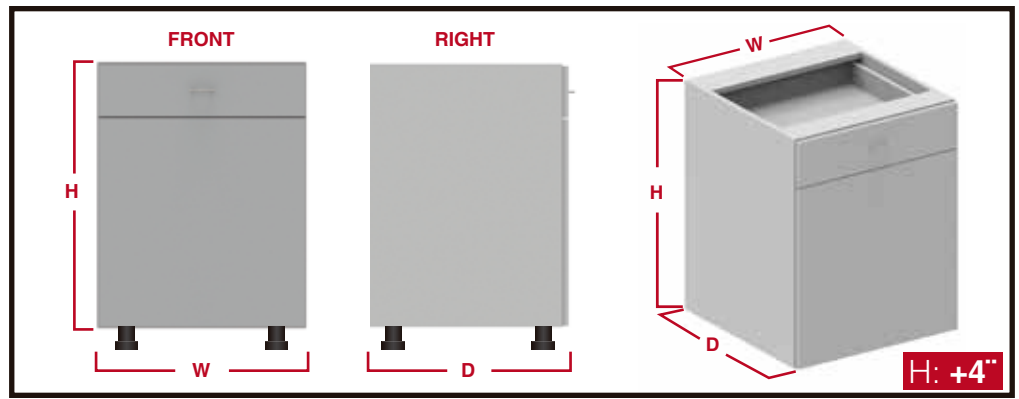


**T5**  
TALL SINGLE  
DRAWERS



**T6**  
TALL PAIR  
DOORS

market  
wood  
**GOLA**  
CABINET



**G1**  
DRAWER CABINET  
3 DRAWERS



**G2**  
BASE  
(2 Doors - Shelves)  
Door: 2  
Drawers: 0  
Shelf: 1- 2



**G3**  
BASE  
(1 Door - Shelves)  
Door: R - L  
Shelf: 1- 2



**G4**  
BASE  
(2 D - 1 D - Shelves)  
Door: 2  
Drawers: 1  
Shelf: 1- 2 - 3 - 4



**G5**  
DRAWER CABINET  
2 DRAWERS



**G6**  
BASE  
(1 D - 1 D - 1 Shelves)  
Drawers: 1 ( 6 in)  
Shelf: 1 - 2 - 3



**G7**  
DRAWER CABINET  
3 DRAWERS